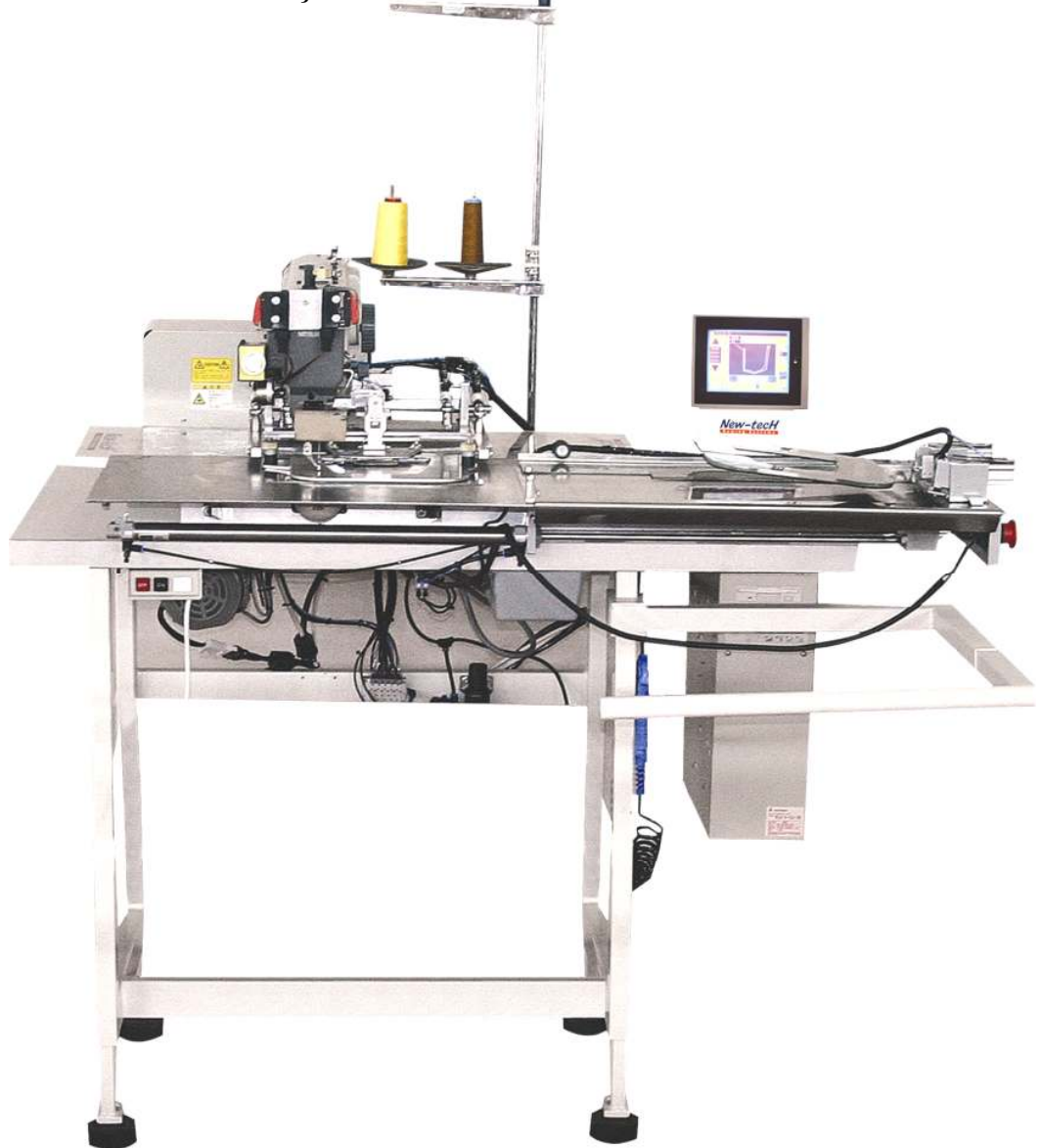


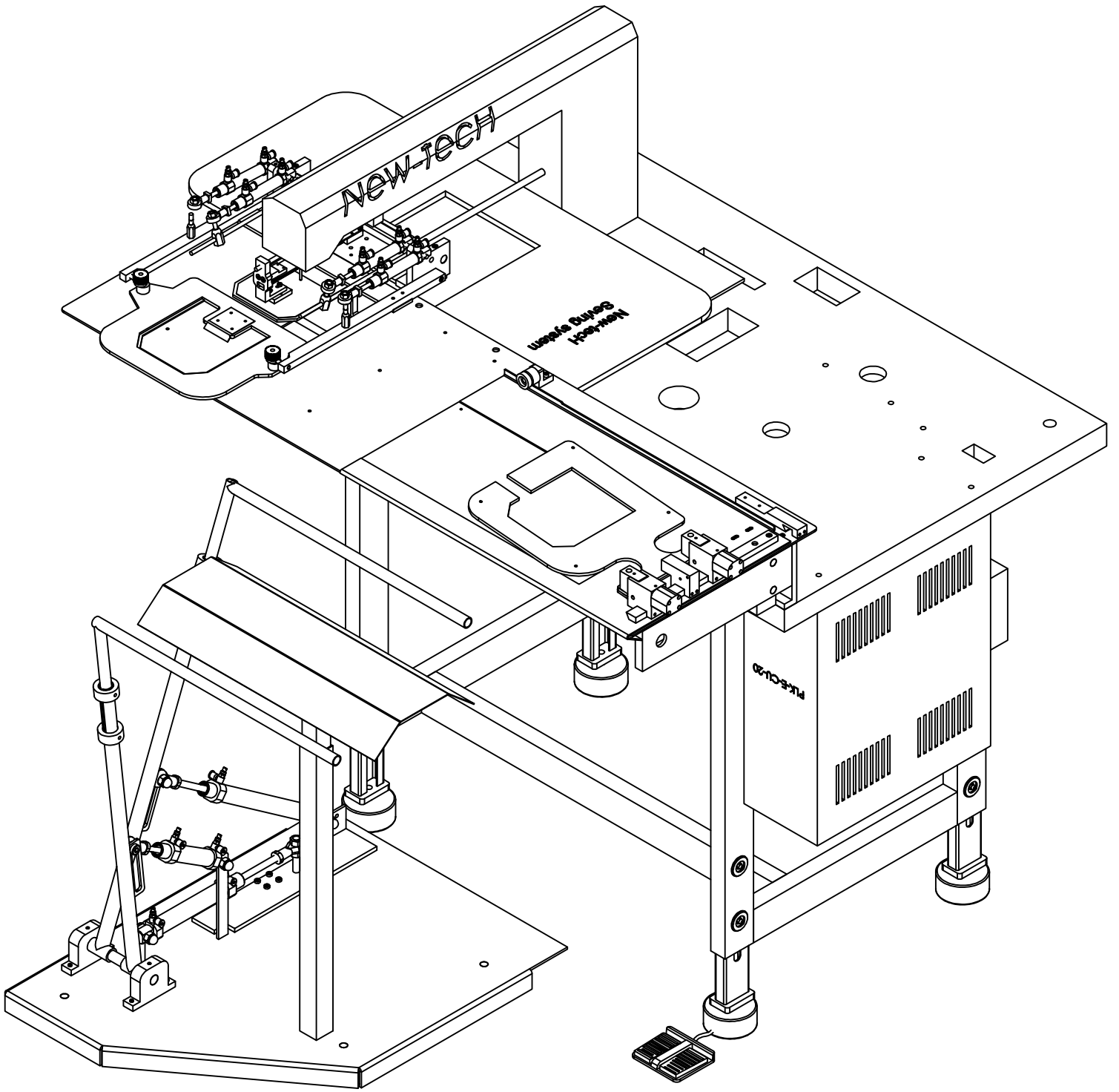
BACK POCKET SETTER UNIT WITHOUT FOLDING
FOR TROUSERS

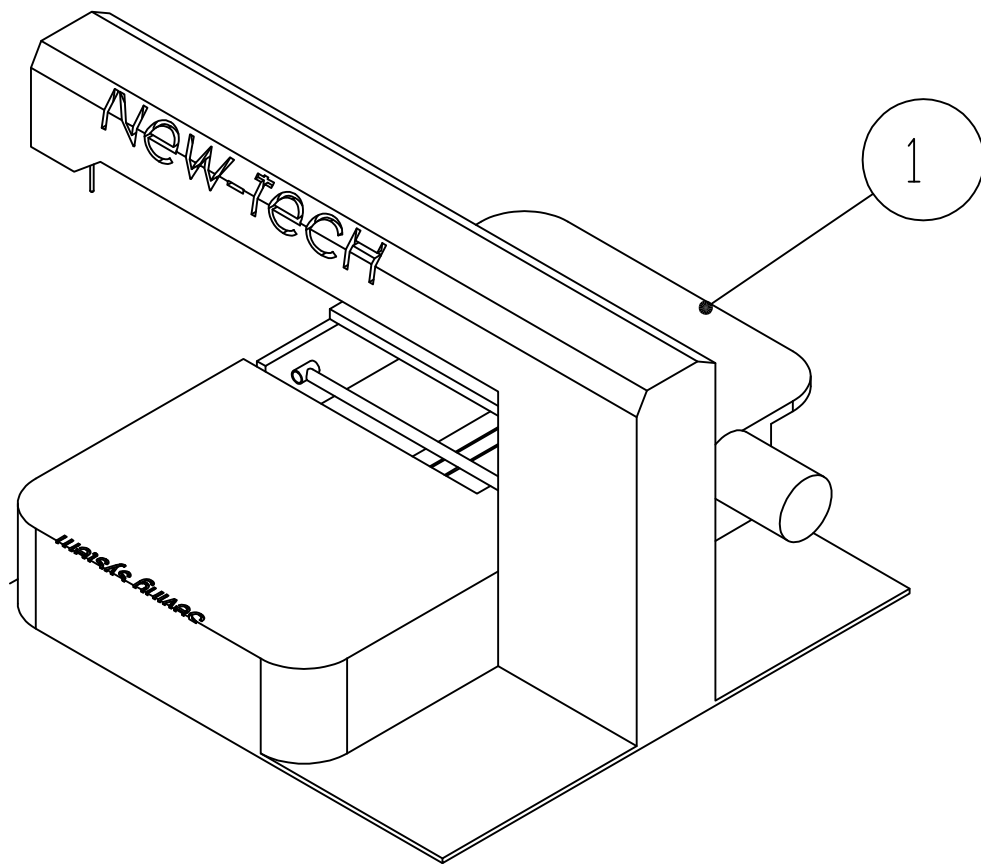
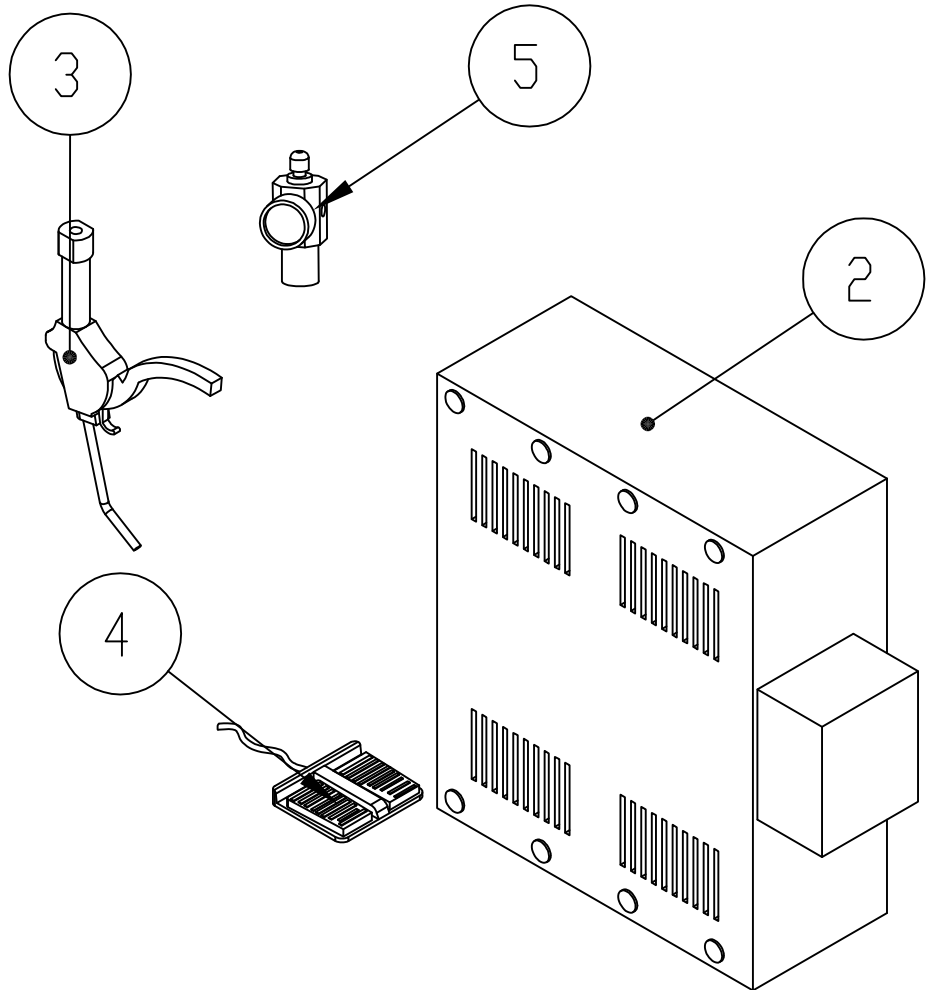
PANTOLON ARKA CEP TAKMA OTOMATI
KATLAMASIZ

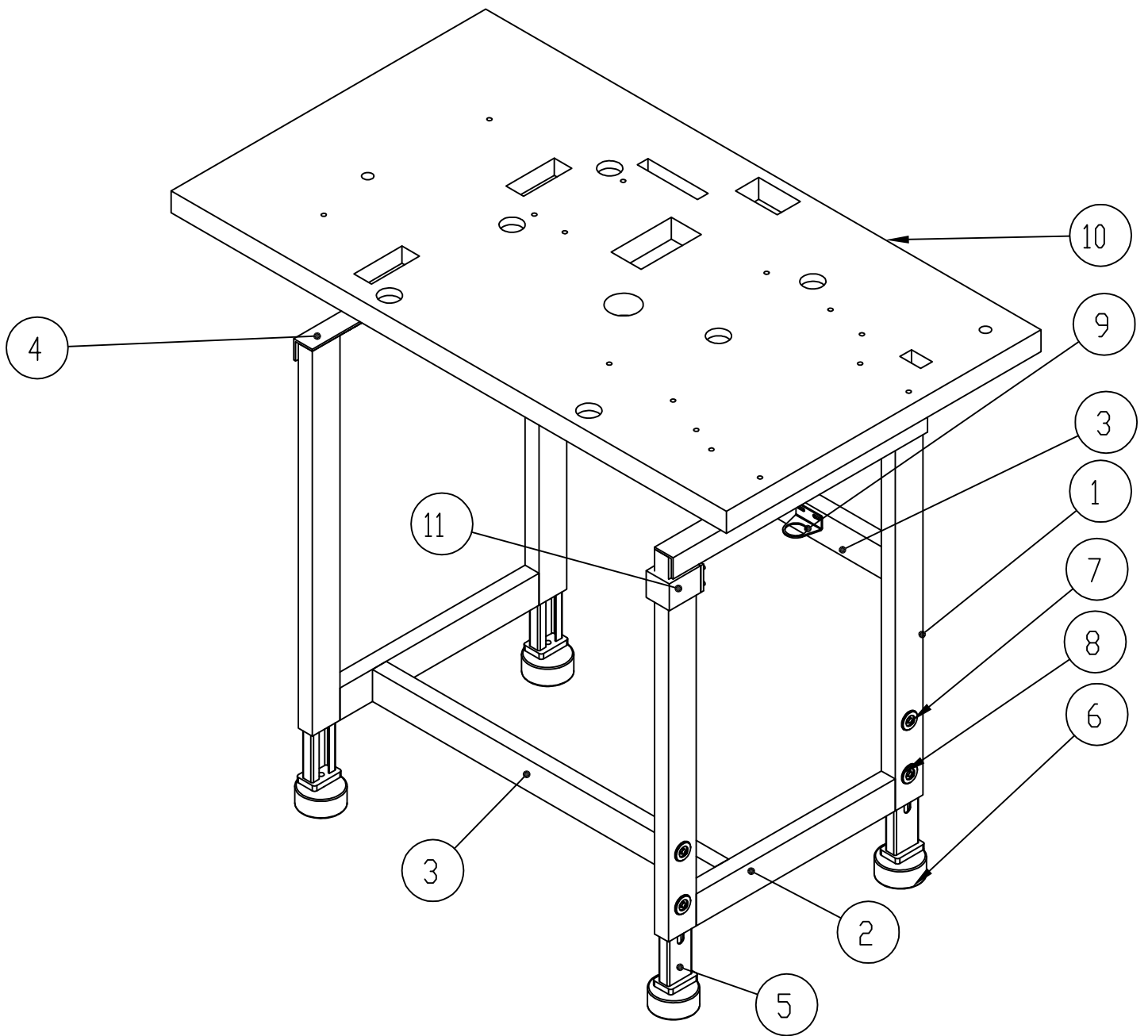
MODEL **NEW-TECH 3000/1**

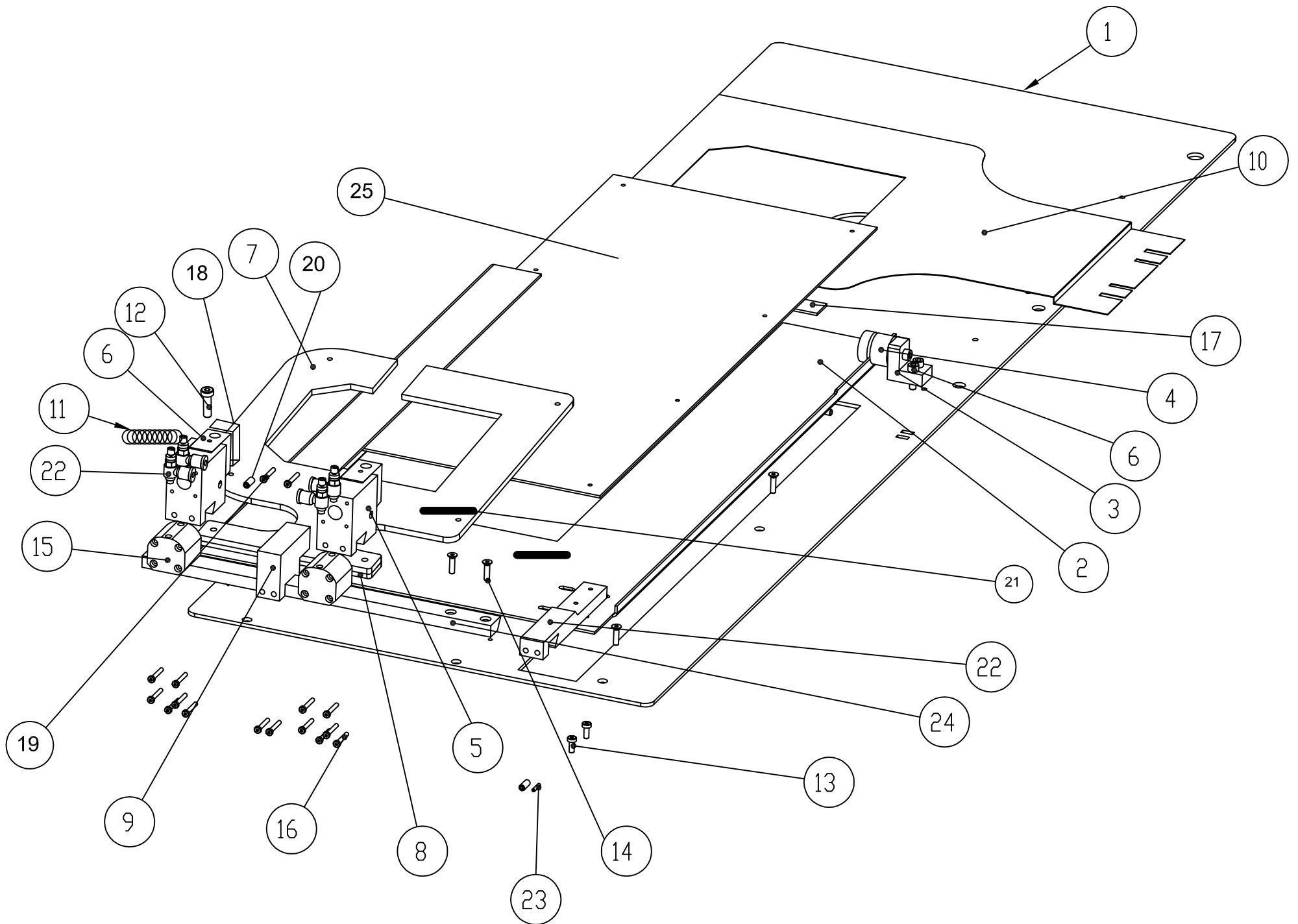
◆ PART MANUAL ◆
PARÇA KATALOĐU

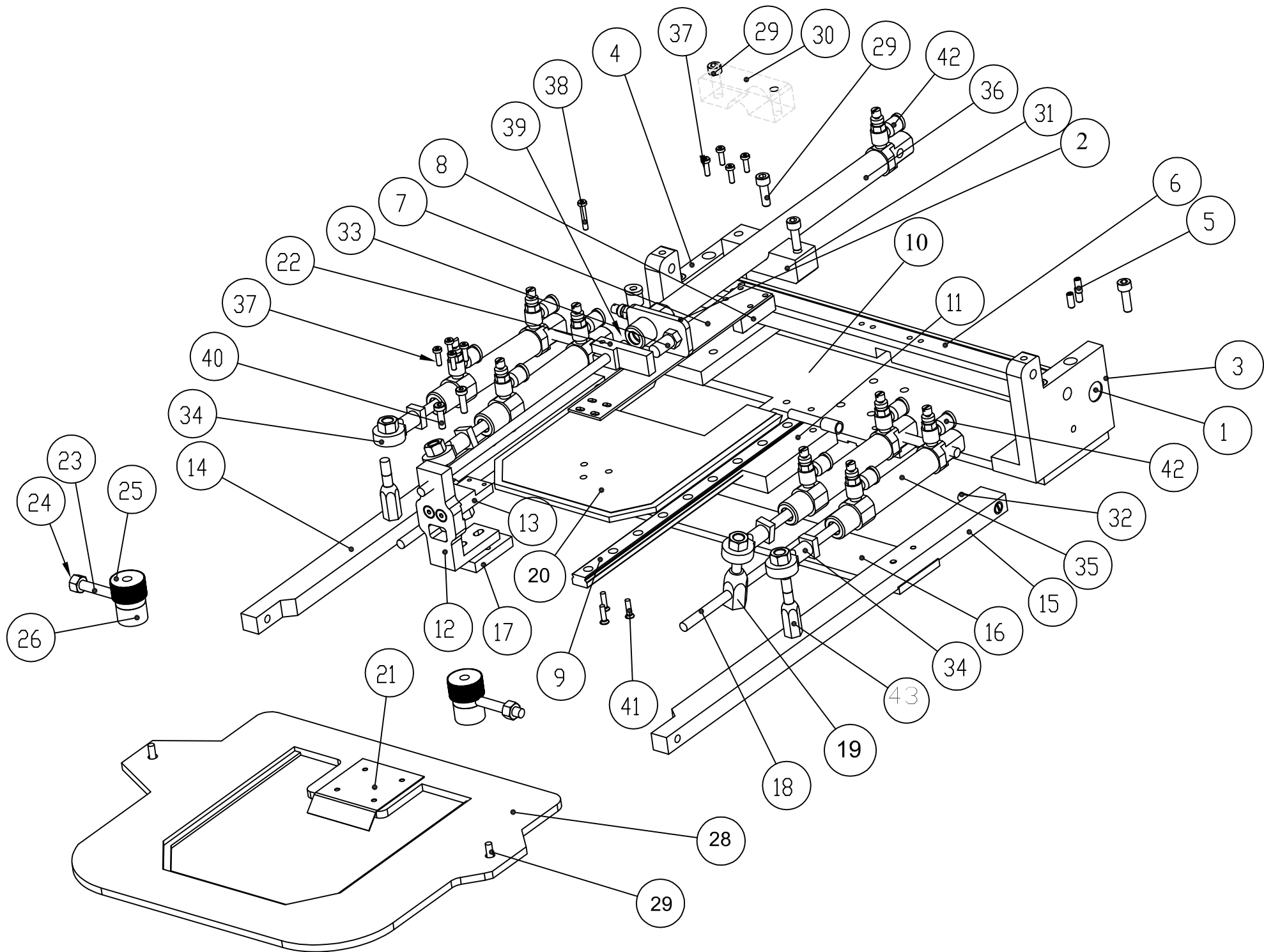










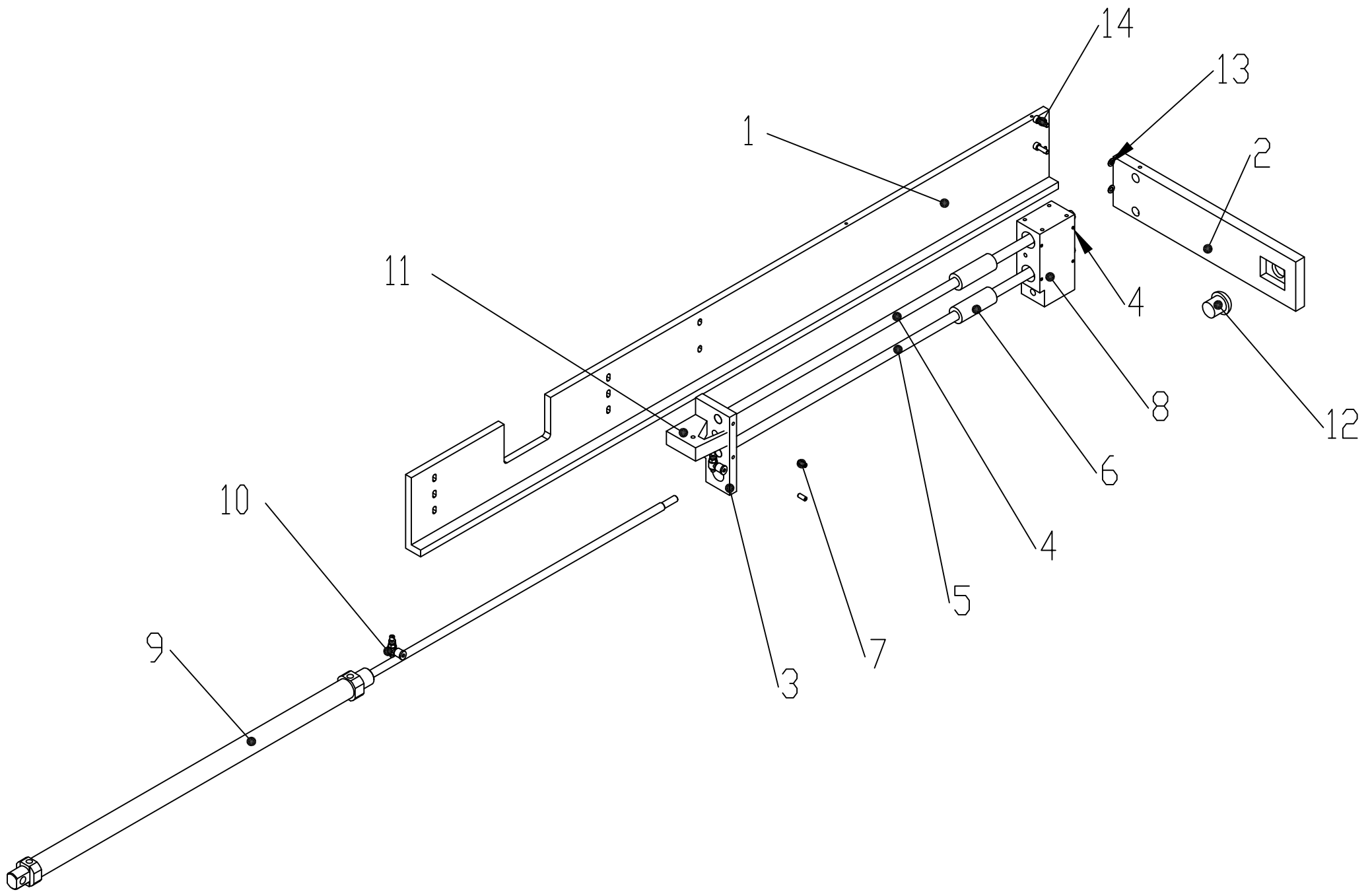


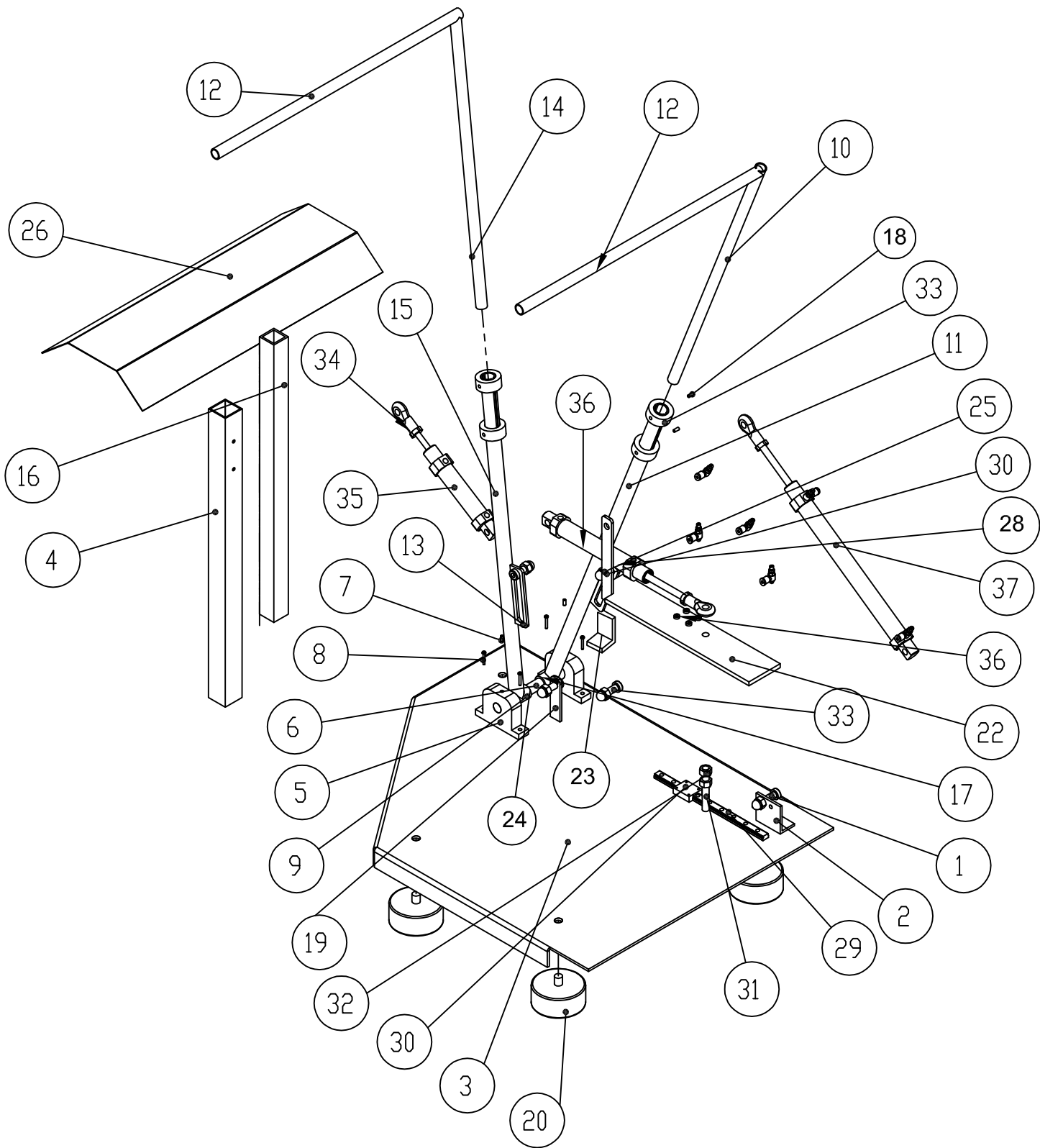
SIRA LINE	PARÇA NO PART NO	PARÇA İSMİ	DESCRIPTION	ADET PCS
1	30.000.017.001	GÖVDE BAĞLANTI MİLİ	BODY CONNECTION ROD	1
2	30.000.009.001	BAĞLANTI PARÇASI	CONNECTION PART	1
3	30.000.010.001	GÖVDE	BODY	2
4	3000.0010.0001-2	GÖVDE	BODY	2
5	ISO 4026	M5X10 VİDA	M5 x 10 SCREW	1
6	30.000.018.001	GÖVDE BAĞLANTI PARÇASI	BODY CONNECTION PART	1
7	30.000.032.004	HAREKET SACI	MOVING SHEET IRON	1
8	HAZIR	KIZAK	CARRIER	1
9	HAZIR	RAY	RAIL	1
10	30.000.031.003	PİSTON BAĞLANTI KÜTÜĞÜ	CYLINDER CONNECTION HOLDER	1
11	30.000.015.004	RAY GÖVDE BAĞLANTI PARÇASI	RAIL BODY CONNECTION PART	1
12	30.000.038.001	DİKİŞ KALIBI BAĞLAMA PARÇASI	SEWING MOLD CONNECTION PART	1
13	30.000.014.001	DİKİŞ KALIBI BAĞLAMA HAREKET PARÇASI	SEWING MOLD CONNECTION MOVING PART	1
14	30.000.024.001	KALIP TAŞIMA KOLU	MOLD CARRIAGE ARM	1
15	30.000.011.001	KALIP TAŞIMA KOLU	MOLD CARRIAGE ARM	1
16	30.000.012.001	KALIP TAŞIMA KOLU BAĞLANTI PARÇASI	MOLD CARRIAGE ARM CONNECTION PART	1
17	30.000.025.001	DİKİŞ KALIBI BAĞLAMA PARÇASI	SEWING MOLD CONNECTION PART	1
18	30.000.033.001	MİL	ROD	2
19	30.000.035.001	MUYLU	PIVOT	4
20	30.000.090.003	DİKİŞ KALIBI	SEWING MOLD	1
21	30.000.091.003	DİKİŞ ATLAMA SACI	SEWING MOLD IRON SHEET	2
22	30.000.049.001	PİSTON KÜTÜĞÜ	CYLINDER HOLDER	1
23	30.000.047.001	PİSTON BAĞLANTISI	CYLINDER CONNECTION	1
24	30.000.065.001	M6 KALIP BAĞLANTISI	M6 MOLD CONNECTION	2
25	290.013.002	TIRTIL VİDA	SCREW	2
26	290.024.002	PLASTİK	PLASTIC	2
28	3.000.092.003	CEP KALIBI	POCKET MOLD	1
29	ISO 4762	M5X60	M5X50 SCREW	4
30	290.030.002	PİSTON BAĞLANTISI	CYLINDER CONNECTION	1
31	290030002	PISTON BAĞLANTISI	CYLINDER CONNECTION	1
32	ISO 4762	M5X40 VİDA	M5X40 SCREW	2
33	30000066001	İNSİYATÖR	SENSOR	1
34	SMC	M6 MANDA GÖZÜ	M6 BALL BEARING	5
35	SMC	CD85N16-10 PİSTON	CD85N16-10 CYLINDER	4
36		16X180 PİSTON	16X180 CYLINDER	1
37	ISO 4762	M3X10VİDA	M3X10 SCREW	8
38	ISO 4762	M4X20 VİDA	M4X20SCREW	1
39	ISO 4035	M4 SOMUN	M4 NUT	1
40	ISO 4762	M4X16 VİDA	M4X16 SCREW	2
41	ISO 2009	M4 X 12 VİDA	M4X12 SCREW	10
42	SMC	HAVA GİRİŞİ	AIR INLET	10
43	SMC	MANDA GÖZÜ SABİTLEME	BALL BEARING	2

GRUP 4
GROUP 4

CEP DİKİŞ GRUBU
POCKET SEWING GROUP

New-tech
Sewing Systems





SIRA LINE	PARÇA NO PART NO	PARÇA İSMİ	DESCRIPTION	ADET PCS
1	3000016004	PİSTON BAĞLANTI CIVATASI	CYLINDER CONNECTION BOLT SCREW	1
2	6700200010	PİSTON BAĞLANTISI	CYLINDER CONNECTION	1
3	30000001004	İSTİFLEME ANA SAC	STACKER MAIN PLATE	1
4	30000002004	İSTİFLEME SEHPA ALT PROFİLİ	STACKER TABLE BOTTOM PROFILE	1
5	3000002004	RULMAN BAĞLANTI PARÇASI	BEARING CONNECTION PARTS	2
6	30000007004	HAREKET MİLİ	MOVEMENT ROD	1
7	ISO 4026	M5X10 SETİSKUR	M5X10 SOCKET	2
8	ISO 4762	M6X20 VİDA	M6X20 SCREW	4
9	30000068001	HAREKET BORUSU MİL BAĞLANTISI	MOVING TUBE ROD CONNECTION	2
10	30000010004	KUMAŞ TUTMA KOLU İÇ BORUSU	FABRIC HOLD LEVER INTERIOR TUBE	1
11	30000069001	KUMAŞ TUTMA KOLU HAREKET BORUSU	FABRIC HOLD LEVER MOVING TUBE	1
12	30000080001	KUMAŞ TUTMA KOLU	FABRIC HOLD LEVER	2
13	30000079001	PİSTON BAĞLANTI PARÇASI	CYLINDER CONNECTION PART	2
14	30000071004	KUMAŞ SIKIŞTIRMA KOLU İÇ BORUSU	FABRIC SQUEEZE LEVER INTERIOR TUBE	1
15	30000070001	KUMAŞ SIKIŞTIRMA BORUSU	FABRIC SQUEEZE LEVER	1
16	30000019001	İSTİFLEME SEHPA AYAR PROFİLİ	STACKER TABLE ADJUSTMENT PROFILE	1
17	6738090028	SIKMA BİLEZİĞİ	TIGHTENING METAL RING	4
18	ISO 4762	M5X20 VİDA	M5X20 SCREW	6
19	3000073001	PİSTON BAĞLANTI LAMASI	CYLINDER CONNECTION METAL SHEET	1
20	HAZIR	YER SABİTLEME KÜTÜĞÜ	GROUND FASTENING HOLDER	4
21	30000074001	L LAMA	L METAL SHEET	1
22	30000075001	RAY BAĞLANTI PARÇASI	RAIL CONNECTION PART	1
23	30000078001	UZATMA LAMASI	LENGTHENING METAL SHEET	1
25	30000078001	UZUN PİSTON BAĞLANTI LAMASI	LONG CYLINDER CONNECTION METAL SHEET	1
26	30000085001	İSTİFLEME SEHPA SACI	STACKER TABLE PLATE	1
28	30000086001	PİSTON SABİTLEME	CYLINDER FASTENING	2
29	HAZIR	20 LİK RAY	20 RAIL	1
30	HAZIR	ARABA	METAL CAR	1
31	35000087001	PİSTON BAĞLANTI VİDASI	CYLINDER CONNECTION SCREW	1
32	ISO 4035	M10 SOMUN	M10 NUT	3
33	ISO 4762	M5X16 VİDA	M5X 16 SCREW	4
34	HAZIR	M 10 MANDA GÖZÜ	M10 BALL BEARING	3
35	HAZIR	WINMAN 25X40 PİSTON	WINMAN 25X40 CYLINDER	1
36	HAZIR	WINMAN 25X100 PİSTON	WINMAN 25X100 CYLINDER	1
37	HAZIR	WINMAN 25X200 PİSTON	WINMAN 25X200 CYLINDER	1
38	ISO 4762	M5X16 VİDA	M5X16 SCREW	8

GRUP 6
GROUP 6

İSTİFLEME GRUBU
STACKER GROUP

New-tech
Sewing Systems

New-tech

S e w i n g S y s t e m s

YAZICI DİKİS MAKİNA SANAYİ VE TİC. LTD. STİ.

**FACTORY:
(FABRİKA)**

TEL:

FAX:

E-MAIL:

ÇAKIL MAH. ELBASAN KÖY YOLU ÜZERİ
1.KM ÇATALCA İSTANBUL / TURKEY

+90 212 776 46 41-42-43

+90 212 776 46 48

info@new-tech.com.tr;

marketing@new-tech.com.tr

**BRANCH:
(ŞUBE)**

TEL:

FAX:

PERPA İŞ MERKEZİ B BLOK KAT: 5
NO: 279 OKMEYDANI İSTANBUL /
TURKEY

+90 212 210 22 29 – 20 29 – 05 62

+90 212 210 05 66

**WAREHOUSE:
(DEPO)**

TEL/FAX:

SUCUZADE MAH. 17.SOK. 13/B
SEYHAN ADANA / TURKEY

+90 322 351 70 05

www.new-tech.com.tr