

BACK POCKET DESIGNING AUTOMAT
FOR SPORT TROUSERS

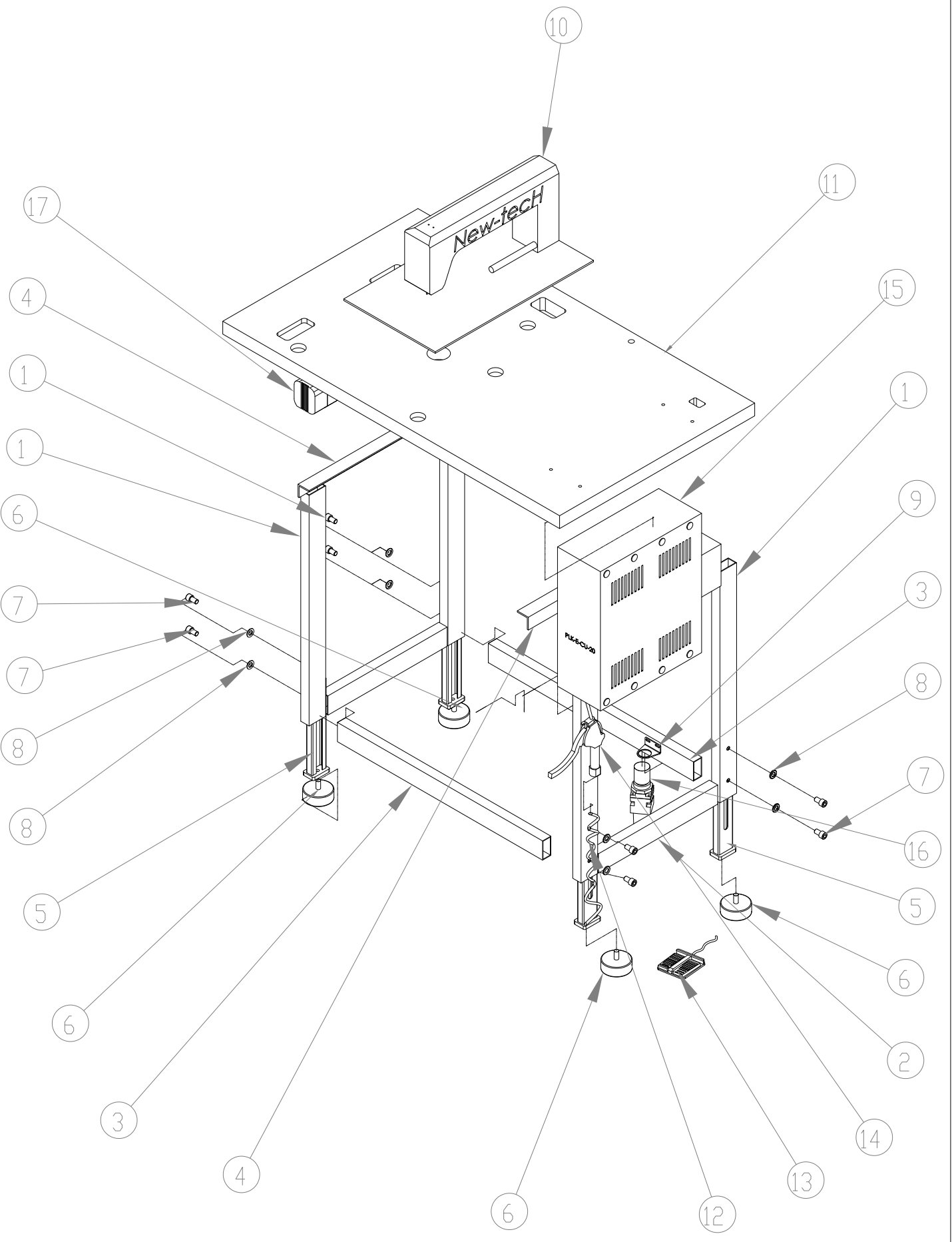
SPOR PANTOLON ARKA CEP İŞLEME
OTOMATI

MODEL **NEW-TECH 2900/1**

◆ PART MANUAL ◆
PARÇA KATALOĐU




A
B
C
D
E
F



GRUP 1
GROUP 1

SASE
TABLE FRAME

New-tech
Sewing Systems

SIRA NO NR	PARÇA NO ARTICLE NO ARTIKEL NO	PARÇA İSMİ	NAME	ADET
				PIECE
				ST
1	3000-2	ŞASİ ÖN AYAK PROFİL	FRAME FRONT FOOT PROFILE	4
2	3000-1	ŞASE ÖNAYAK BAĞLANTI PROFİLİ	FRAME FRONT FOOT CONNECTION PROFILE	2
3	3000-3	ŞASE ÖN AYAK BAĞLANTI PROFİLİ	FRAME FRONT FOOT CONNECTION PROFILE	2
4	3000-4	ŞASE ÜST BAĞLANTI KÖŞEBENTİ	FRAME UPPER CONNECTION ANGLE IRON	2
5	15.0005.001	ŞASE YÜKSEKLİK AYAR AYAĞI	FRAME HEIGHT ADJUSTMENT FOOT	4
6	3000.0084.001	YER BAĞLANTI TAKOZU	PLACE CONNECTION WOODEN WEDGE	4
7	ISO 4762	M12X20 VİDA	ISO 4762 M12X20 SCREW	8
8	ISO 7090	M12 PUL	ISO 7090-12 WASHER	8
9	2000-1-42	HAVA SAATİ BAĞLANTISI	AIR WATCH CONNECTION	1
10	MITSUBISHI	PLK-E2516 KAFA	MITSUBISHI PLK-E2516 HEAD	1
11	MITSUBISHI	ŞASE TABLA	TABLE FRAME	1
12	HAZIR	HAVA TABANCA HORTUMU	AIR GUN HOSE	1
13	MITSUBISHI	PEDAL	PEDAL	1
14	HAZIR	HAVA TABANCASI	AIR GUN	1
15	MITSUBISHI	PLK-E-CU-20 KONTROL ÜNİTESİ	MITSUBISHI PLK-E-CU-20 CONTROL UNIT	1
16	SMC	HAVA SAATİ	AIR GAUDGE	1
17	MITSUBISHI	M04076189 MOTOR	MITSUBISHI M04076189 MOTOR	1
18				
19				
20				
21				
22				
23				
24				
25				
26				
27				
28				
29				
30				
31				
32				
33				
34				
35				
36				
37				
GRUP 1 GROUP 1		ŞASE TABLE FRAME		

1

2

3

4

A

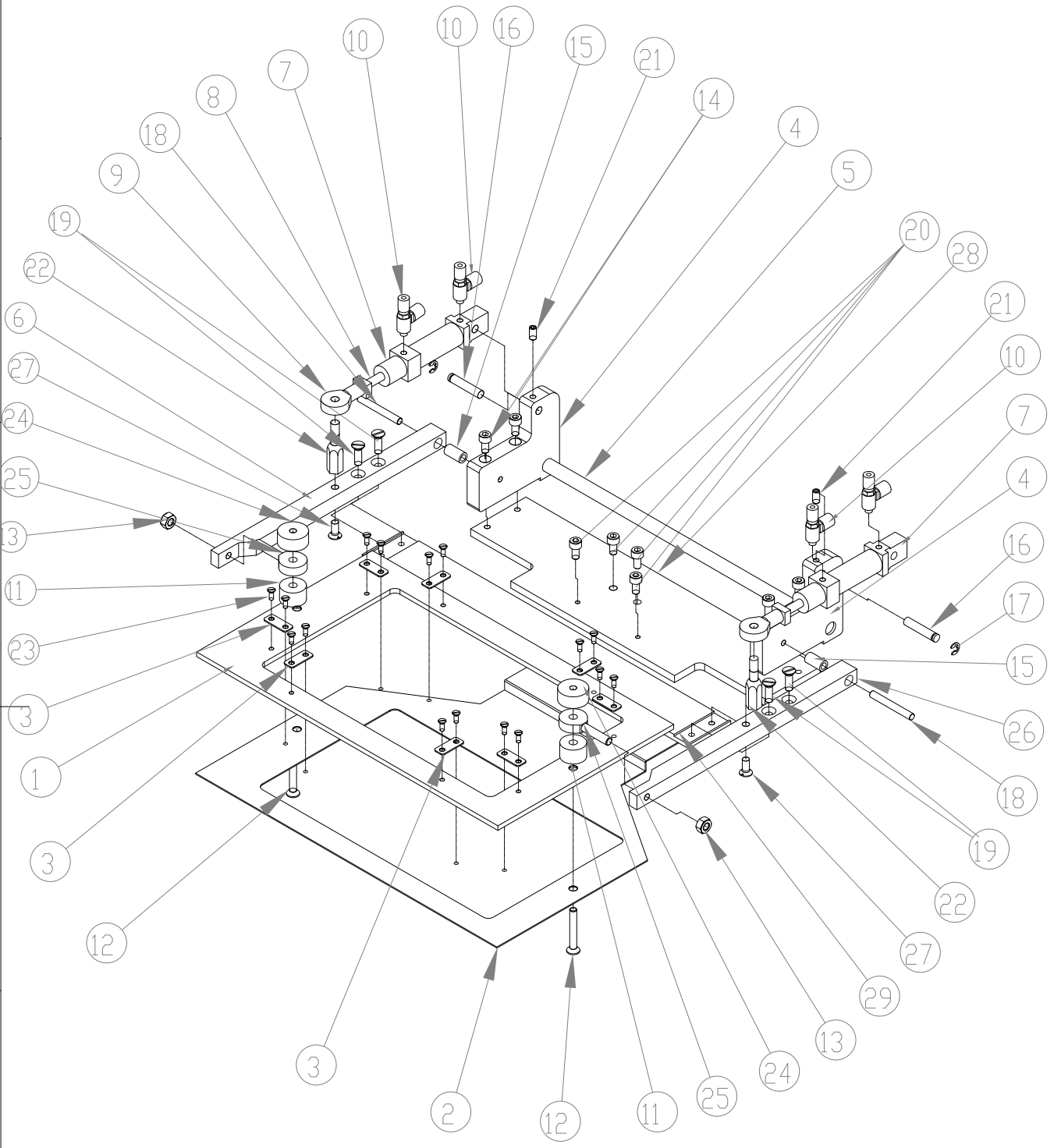
B

C

D

E

F

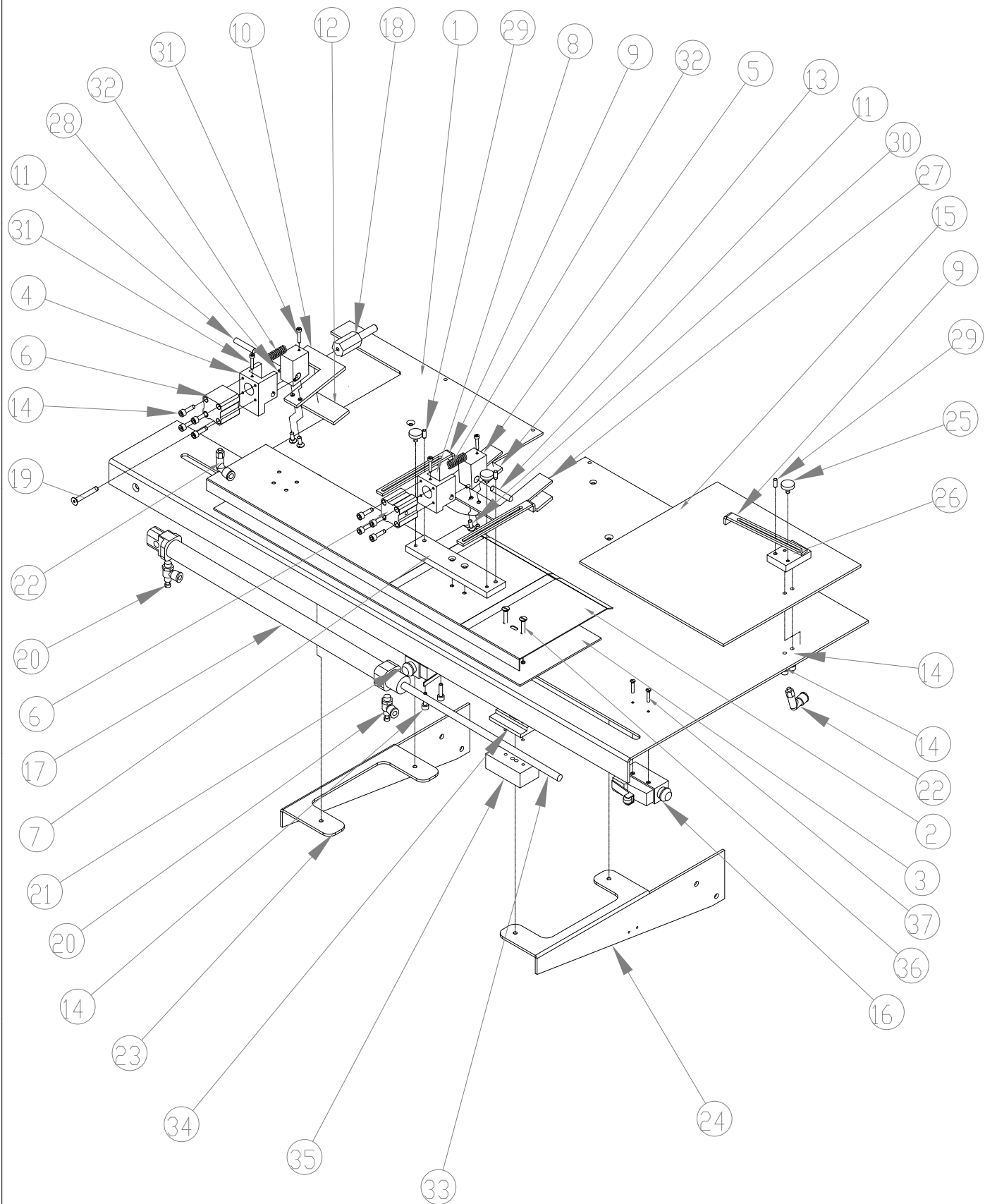


GRUP 2
GROUP 2

CEP DIKIS GRUBU
POCKET SEWING GROUP



SIRA NO NR	PARÇA NO ARTICLE NO ARTIKEL NO	PARÇA İSMİ	NAME	ADET
				PIECE ST
1	29.0012.002	CEP DİKİŞ KALIP BAĞLANTISI	POCKET SEWING MOULD CONNECTION	1
2	29.0010.002	KALIP BAĞLANTI SACI	MOULD CONNECTION IRON SHEET	1
3	29.0027.002	KALIP BAĞLANTI PARÇASI	MOULD CONNECTION PART	8
4	29.0016.002	GÖVDE	BODY	2
5	29.0018.002	GÖVDE BAĞLANTI MİLİ	BODY CONNECTION AXLE	1
6	29.0023.002	KALIP TAŞIMA KOLU	MOULD CARRIAGE ARM	1
7	SMC	16X10 PİSTON	16X10 CYLINDER	2
8	SMC	PİSTON MİLİ	CYLINDER AXLE	2
9	SMC	M6 MANDAGÖZÜ	M6 BALL JOINT	2
10	SMC	HAVA GİRİŞİ	AIR ENTRY	4
11	29.0024.002	KALIP BAĞLANTI PLASTİĞİ	MOULD CONNECTION PLASTIC	2
12	ISO 10642	M5X40 VİDA	M5X40 SCREW	2
13	ISO 4032	M6 SOMUN	M6 NUT	2
14	ISO 4762	M5X45 VİDA	M5X45 SCREW	4
15	HAZIR	BURÇ	BASTION	2
16	29.0028.002	PİSTON BAĞLANTI PİMİ	CYLINDER CONNECTION PINS	2
17	DIN 6799-4	SEGMAN	PISTON RING	2
18	29.0029.002	KOL BAĞLANTI PİMİ	ARM CONNECTION PIN	
19	ISO 2009	M5X16	M5X16 SCREW	4
20	ISO 4762	M5X6 VİDA	M5X16 SCREW	4
21	ISO 4026	M5X6 SETSKUR	M5X6 SOCKET	2
22	29.0030.002	KOL BAĞLANTI MUYLUSU	ARM CONNECTION SCREW	2
23	ISO 2009	M3X12 VİDA	M3X12 SCREW	16
24	29.0013.002	TİRTİL VİDA	CATERPILLAR SCREW	2
25		M6 MANDA GÖZÜ	M6 BALL JOİNT	2
26	29.0015.002	KALIP TAŞIMA KOLU	MOULD CARRIAGE ARM	1
27	ISO 2009	M5X12 VİDA	M5X12 SCREW	2
28	29.0026.002	CEP DİKİŞ KALIBI	POCKET SEWING MOULD	1
29	29.0009.002	GÖVDE BAĞLANTI PARÇASI	BODY CONNECTION PART	1
30	29.0014.002	KOL BAĞLANTI PARÇASI	ARM CONNECTION PART	1
31				
32				
33				
34				
35				
36				
37				
38				
39				
40				
41				
42				
43				
44				
45				
46				
47				
GRUP 2 GROUP 2		CEP DİKİŞ GRUBU POCKET SEWING GROUP		

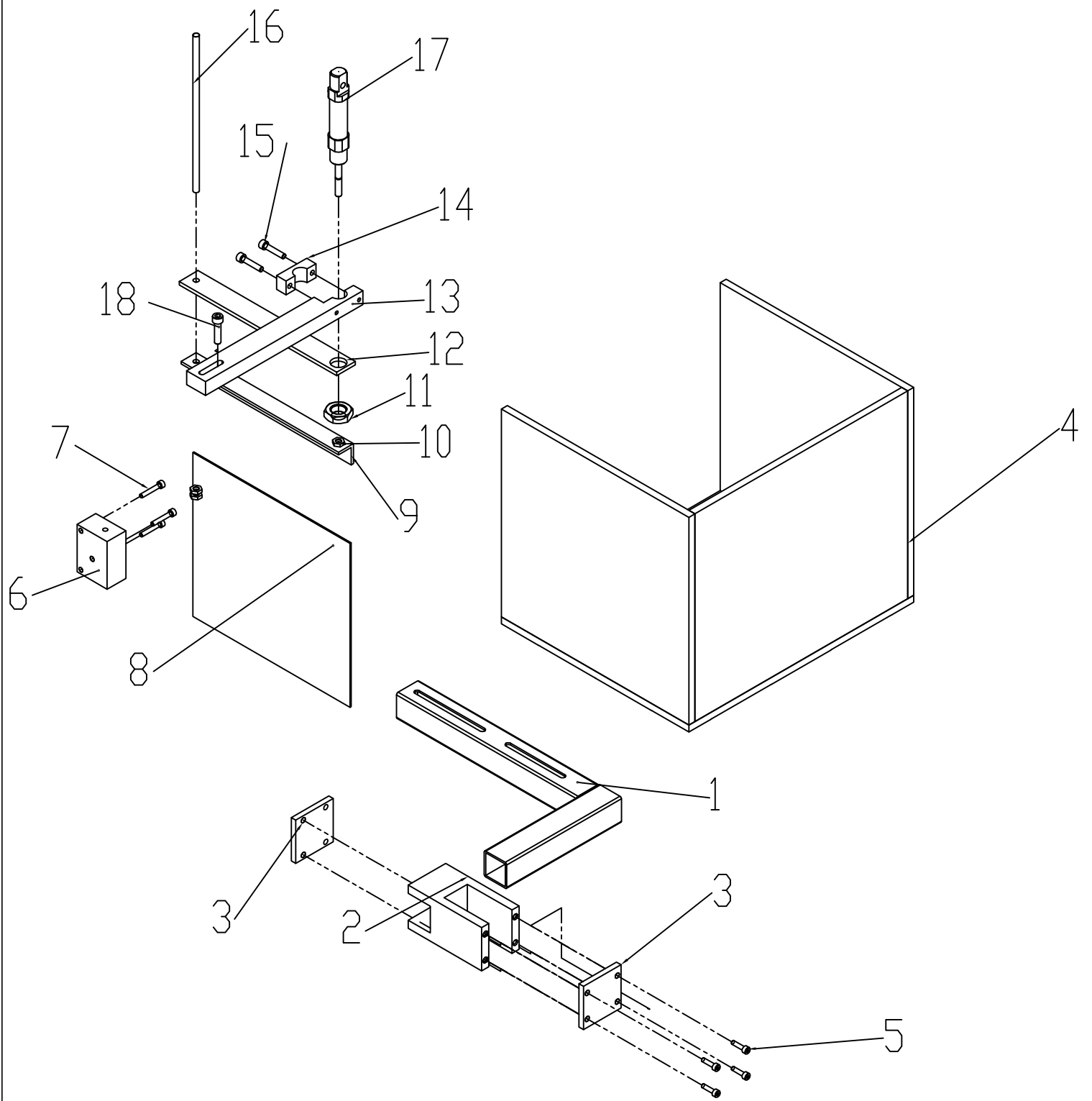


GRUP 3
GROUP 3

CEP TASIMA GRUBU
POCKET CARRIAGE GROUP

New-tech
Sewing Systems

SIRA NO NR	PARÇA NO ARTICLE NO ARTIKEL NO	PARÇA İSMİ	NAME	ADET
				PIECE
				ST
1	29.0024.003	ANA SAC	MAIN IRON SHEET	1
2	29.0027.003	HAREKETLİ SAC	MOVABLE IRON SHEET	1
3	29.0052.003	HAREKETLİ SAC ALT PLASTİĞİ	MOVABLE IRONSHEET LOWER PLASTIC	1
4	29.0032.003	PİSTON BAĞLANTI KÜTÜĞÜ	CYLINDER CONNECTION BEARING BRACKET	1
5	29.0029.003	KUMAŞ TUTMA KOL BAĞLANTISI	FABRIC HOLD ARM CONNECTION	2
6	SMC	16X10 KUMAŞ TUTMA KARE PİSTON	16X10 CYLINDER	2
7	29.0037.003	BAĞLANTI PARÇASI	CONNECTION PART	1
8	29.0022.001	KUMAŞ TUTMA KOL BAĞLANTISI	FABRIC HOLD ARM CONNECTION	1
9	29.0036.003	KUMAŞ SİPERİ	FABRIC SHIELD	3
10	29.0028.003	KUMAŞ TUTMA KOLU	FABRIC HOLD ARM	1
11	29.0030.003	KUMAŞ TUTMA KOLU BAĞLANTI PİMİ	FABRIC HOLD ARM PINS	2
12	29.0054.003	KUMAŞ TUTMA KOLU PLASTİĞİ	FABRIC HOLD ARM PLASTIC	1
13	29.0055.003	KUMAŞ TUTMA KOLU PLASTİĞİ	FABRIC HOLD ARM PLASTIC	2
14	ISO 4762	M5X16 VİDA	M5X16 SCREW	8
15	29.0050.003	KUMAŞ DAYAMA CAMI	FABRIC LEANING GLASS	1
16	EMAS	MN1 MİMİ SWİCH	MN1 MIM1 SWITCH	1
17	FESTO	20X300 PİSTON	20X300 CYLINDER	1
18	29.0053.003	ALT PİSTON BAĞLANTISI	LOWER CYLINDER CONNECTION	1
19	ISO 10642	M4X16 VİDA	M4X16 SCREW	1
20	SMC	HAVA GİRİŞİ	AIR INLET	2
21	EMAS	MN1 MİMİ TEL SWİCH	MN1 MIM1 WIRE SWITCH	1
22	SMC	HAVA GİRİŞİ	AIR INLET	3
23	29.0045.003	ANA SAC GÖVDE BAĞLANTI PARÇASI	MAIN IRON SHEETCONNECTION PART	1
24	29.0046.003	ANA SAC GÖVDE BAĞLANTI PARÇASI	MAIN IRON SHEETCONNECTION PART	1
25	29.0039.003	TIRTİL VİDA	CATERPILLAR SCREW	3
26	29.0048.003	KUMAŞ SİPERİ BAĞLANTI KÜTÜĞÜ	FABRIC SHIELD CONNECTION STUMP	1
27	29.0034.003	KUMAŞ TUTMA KOLU	FABRIC HOLD ARM	1
28	ISO 4026	M3X5 SETSKUR	M3X5 SOCKET	4
29	29.0038.003	KUMAŞ SİPER PİMİ	FABRIC SHIELD PIN	3
30	ISO 2009	M4X12 VİDA	M4X12 SCREW	4
31	ISO 4762	M3X16 YAY VİDASI	M3X16 SPRING SCREW	4
32	29.0052.004	YAY	SPRING	2
33	FESTO	PİSTON MİLİ	CYLINDER AXLE	1
34	29.0040.003	HAREKET PLASTİĞİ	MOVABLE PLASTIC	1
35	29.0041.003	HAREKET PLASTİĞİ BAĞLANTI KÜTÜĞÜ	MOVABLE PLASTIC CONNECTION BRACKET	1
36				
37				
38				
39				
40				
41				
42				
43				
44				
45				
46				
47				
GRUP 3 GROUP 3	CEP TAŞIMA GRUBU POCKET CARRIAGE GROUP			



GRUP 4
 GROUP 4

İSTİFLEME
 STACKER

New-tech
 Sewing Systems

New-tech

S e w i n g S y s t e m s

YAZICI DİKİS MAKİNA SANAYİ VE TİC. LTD. STİ.

**FACTORY:
(FABRİKA)**

TEL:

FAX:

E-MAIL:

ÇAKIL MAH. ELBASAN KÖY YOLU ÜZERİ
1.KM ÇATALCA İSTANBUL

+90 212 776 46 41-42-43

+90 212 776 46 48

info@new-tech.com.tr;

marketing@new-tech.com.tr

**BRANCH:
(ŞUBE)**

TEL:

FAX:

PERPA İŞ MERKEZİ B BLOK KAT: 5

NO: 279 OKMEYDANI İSTANBUL

+90 212 210 22 29 – 20 29 – 05 62

+90 212 210 05 66

**WAREHOUSE:
(DEPO)**

TEL/FAX:

SUCUZADE MAH. 17.SOK. 13/B

SEYHAN ADANA

+90 322 351 70 05

www.new-tech.com.tr